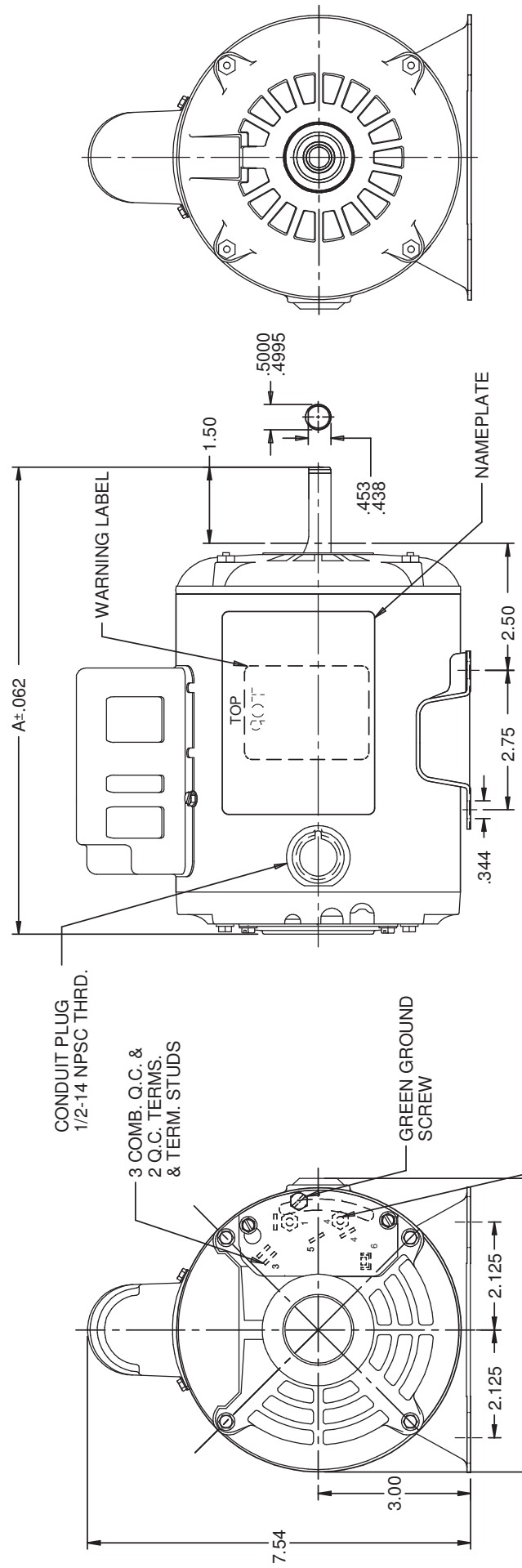


VAR	MODEL	CUSTOMER	CAT. NO.	A	B	C	D	HP	VOLTS	SF	AMPS	HZ	RPM	CONN. VOLTS	PROT.	DESCRIPTION / REMARKS
001	C55KTL-2125	USEM	--	9.06	--	--	--	1/2	115/208-230	--	10.3/4.8-5.3	60	1725	--	--	



2 TERM. STUD, NUTS & WASHERS-1EACH PER TERM. STUD.

NIDEC MOTOR CORPORATION 17-Apr-15		REFER TO S.E.I.M. 24-1	
CREATED DRAWING	REVISION RECORD FOR:	NIDEC MOTOR CORPORATION	
	JC.69752	INFORMATION DISCLOSED ON THIS DOCUMENT IS CONSIDERED PROPRIETARY AND SHALL NOT BE REPRODUCED OR DISCLOSED WITHOUT WRITTEN CONSENT OF NIDEC MOTOR CORPORATION	
ISSUED BY:	ENGINEER APPROVED:	REV	REVISION DATE:
C. RODRIGUEZ	J. MENDOZA	--	22-APR-15
		ITEM NO.	SHEET NUMBER
		805088	1 OF 4
		CODE	SIZE
		V02	B